

Experience flexibility with pewiFLEX™

The **versatile** powered flexible roller conveyor



Cost-effective reasons for use include the following:

- ▀ Efficient movement of product/goods increases labour productivity
- ▀ High safety factor and good operating conditions
- ▀ Versatility due to its flexibility and movability
- ▀ Rent in peak times: Try before you Buy

Features pewiFLEX™

- Standard widths 610 mm, 760 mm or 900 mm
- Galvanized rollers Ø50 mm
- Standard roller pitch max. 125 mm
- Support legs every 1.250 mm
- Number of start/stop: max. 400/hr
- Start-up output up to 100 kg/meter
- Each motor drives 10 rollers
- Castors, with foot brakes located at each end and in the centre section
- Wheel diameter Ø200 x 45 mm
- Start/stop and emergency stop button on either side of start and end point
- Speed adjustable from 6 → 35 m/min by frequency inverter
- pewiFLEX™ operates on single-phase 240 V supply
- Operates in both Forward & Reverse
- Height adjustable from 760- 950 mm (top roll)
- Sturdy wheels with and without brake
- AC drive units, maintenance free, without carbon brushes
- Manufactured to European machine directive and EMC directive



Castors with and without brakes



Product guide wheels



Support legs with and without spacer



Options pewiFLEX™

- Roller pitch: 67 mm or 102 mm
- pewiJOIN™ (dis)connection support bracket
- End roller stop connection hook
- ZLP (Zero Line Pressure) system for zero pressure accumulation, forward and reverse direction
- Extra sensor in sensor bar
- pewiLIGHT™, lighting unit
- Roller diameter 38 mm, for increased flexibility and more compact length
- pewiFLEX™ Impact unit length 780 mm or 2.000 mm, equipped with double LED lighting
- Different lengths, heights and widths possible
- Spacers to ensure set height by time
- Product guide wheels, positioned on the ends of each roller
- Roller length 460 mm

Operating system

Power supply	240 volts, 1 Phase, 50 Hz, 16 Amp, 2,2 kW	400 Volt 3 Phase, 5 pins, 50 Hz, 16 Amp, 3,7 kW
Max. pewiFLEX length	30 metres	50 metres
Max. number of control panels (every 10 metres)	10 metres: 2 x 2 = 4 pieces 20 metres: 2 x 3 = 6 pieces 30 metres: 2 x 4 = 8 pieces	40 metres: 2 x 6 = 12 pieces 50 metres: 2 x 7 = 14 pieces
Standard equipped with Harting plug:	For the use of: 1. master/Slave system 2. integration with another system (pin assignment and function exchange available on request)	



pewiJOIN™ connection support bracket



pewiFLEX™ impact unit



pewiLIGHT™ lighting unit

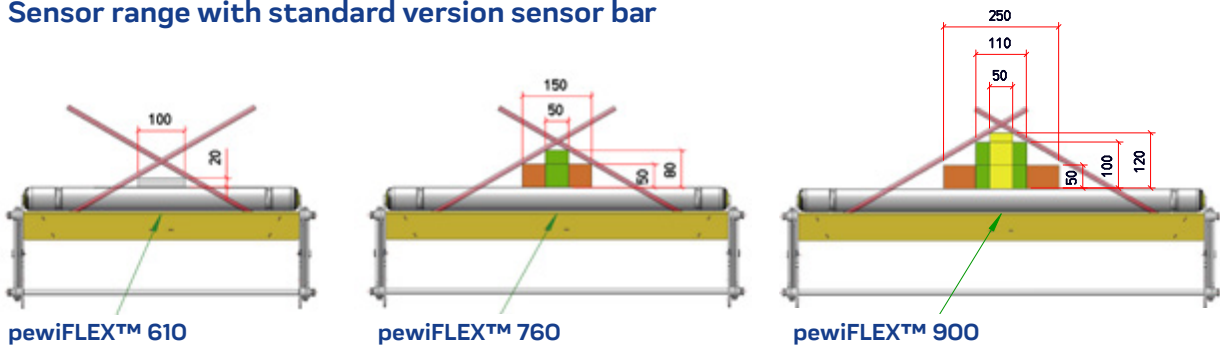
pewiFLEX™ type 50

Roller diameter 50 mm steel galvanized

Roller length	Type	Compact length	Max. length
Option: 460 mm	PEW 460/8750	3.98 m	8.75 m
	PEW 460/11250	5.12 m	11.25 m
	PEW 460/13750	6.25 m	13.75 m
	PEW 460/16250	7.39 m	16.25 m
610 mm	PEW 610/8750	3.98 m	8.75 m
	PEW 610/11250	5.12 m	11.25 m
	PEW 610/13750	6.25 m	13.75 m
	PEW 610/16250	7.39 m	16.25 m
760 mm	PEW 760/8750	3.98 m	8.75 m
	PEW 760/11250	5.12 m	11.25 m
	PEW 760/13750	6.25 m	13.75 m
	PEW 760/16250	7.39 m	16.25 m
900 mm	PEW 900/8750	3.98 m	8.75 m
	PEW 900/11250	5.12 m	11.25 m
	PEW 900/13750	6.25 m	13.75 m
	PEW 900/16250	7.39 m	16.25 m

* other dimensions on request. Max. length: 240 Volt = 30 meters, 400 Volt = 50 meters

Sensor range with standard version sensor bar



Minimum box size:
0.25 x width + height > 45 mm

Minimum box size:
0.3 x width + height > 95 mm

Minimum box size:
0.35 x width + height > 137.5 mm

If boxes/cartons are smaller than the calculated value, an optional third sensor in the middle of the sensor bar is able to detect the smaller sized boxes/cartons.

Curious about what we can do for you?
Call +31 (0)341-76 81 10 or visit www.pewisys.com